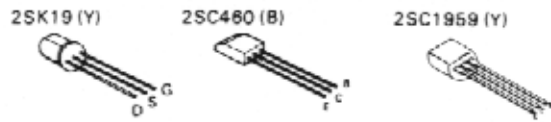
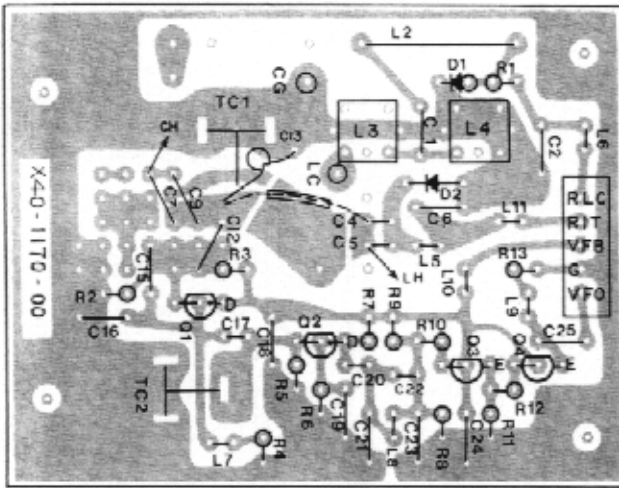
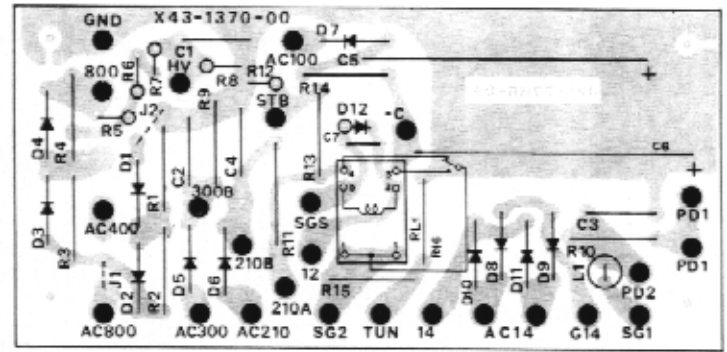


▼ VFO UNIT (X40-1170-00)



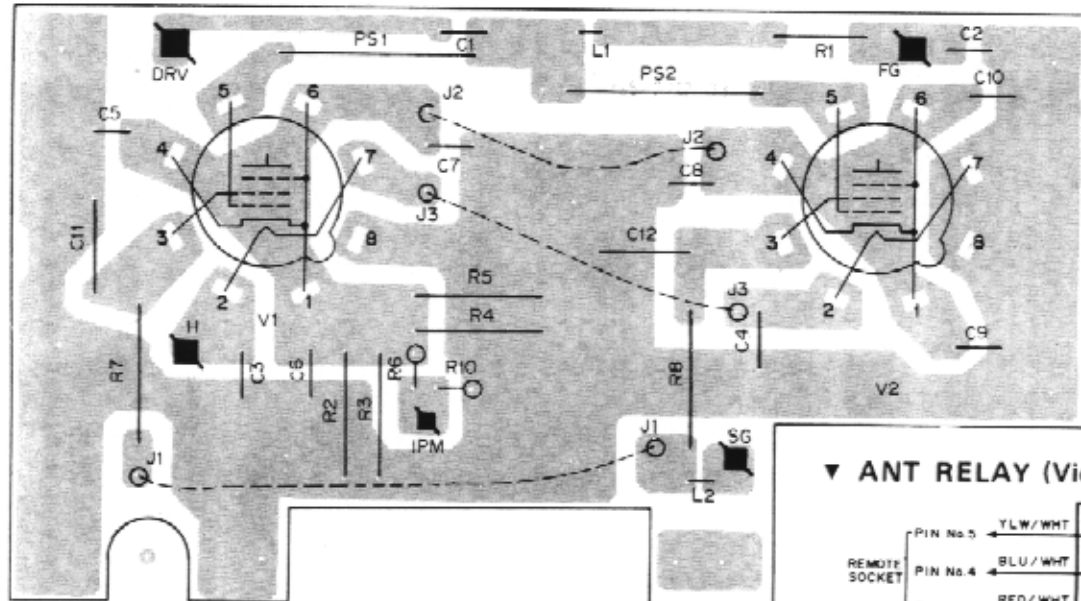
Q1,2: 2SK19(Y) Q3: 2SC460(B) or 2SC1875(L) Q4: 2SC1959(Y)
 D1: 152508 D2: 15V53A

▼ RECTIFIER UNIT (X43-1370-00)

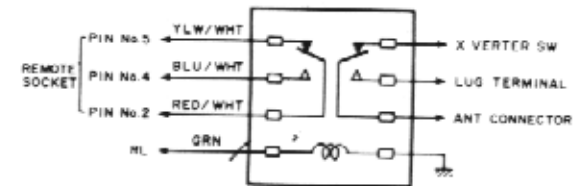


D1~6: V08J D7: V08E D8~11: V03C D12: 1S1555

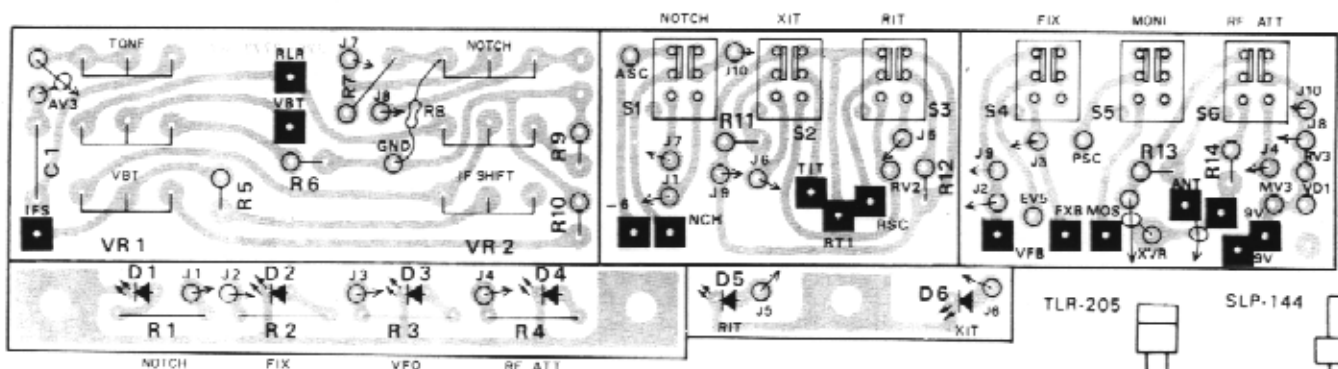
▼ FINAL UNIT (X56-1380-00) (View from foil side)



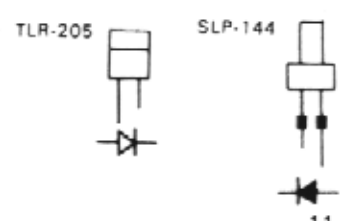
▼ ANT RELAY (View from terminal side)



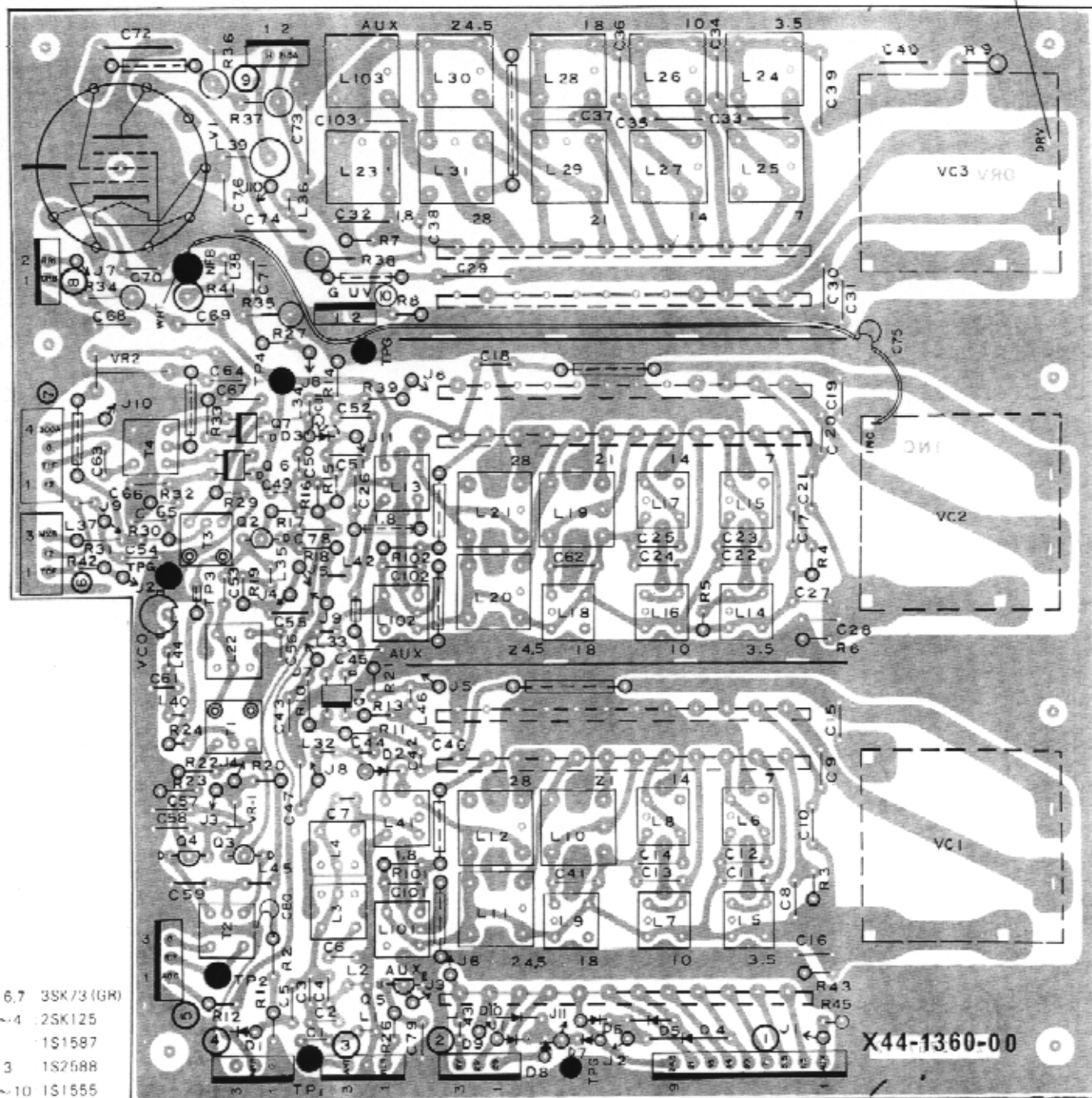
▼ SWITCH BOARD (J25-2773-03)



D1~4: 11R 205 D5,6: SLP-144



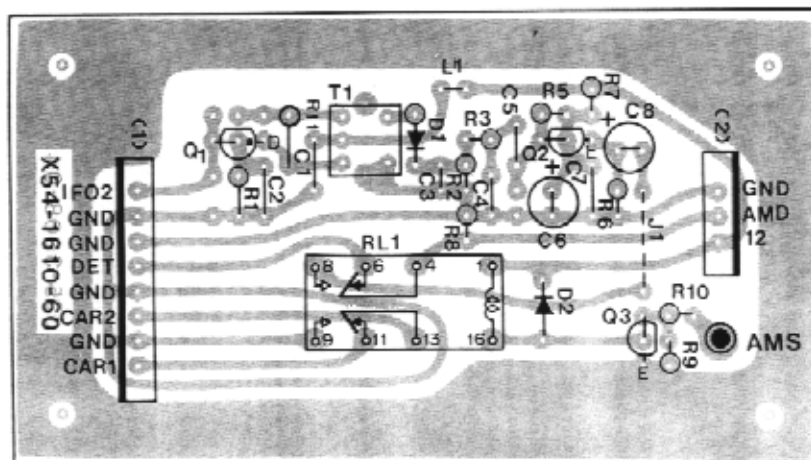
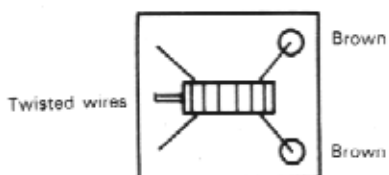
▼ RF UNIT (X44-1360-00)



- Q1, 6, 7 3SK7/3 (GR)
- Q2~4 2SK125
- D1 1S1587
- D2, 3 1S2588
- D4~10 1S1555

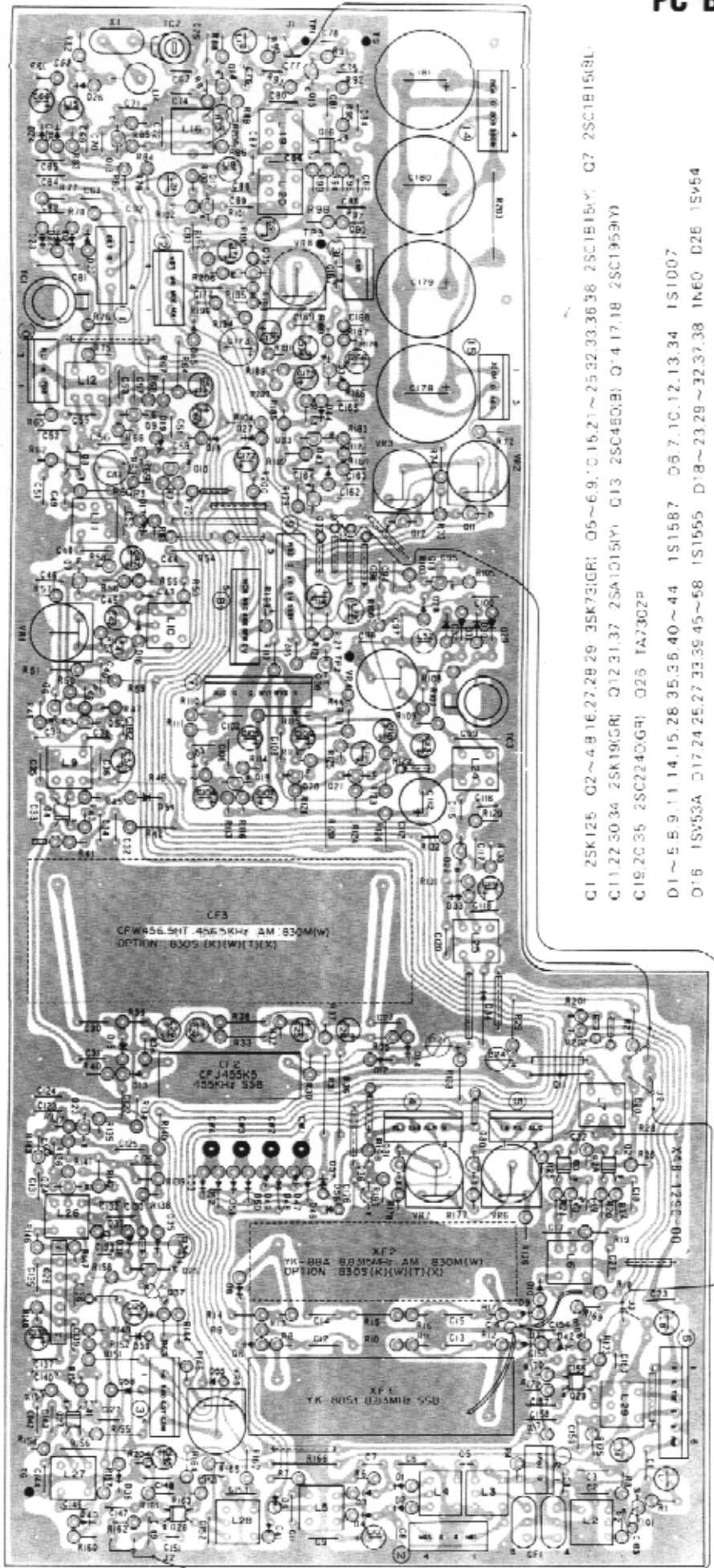
▼ AM UNIT (X54-1610-60): TS-830 M (W)

< Attachment method of T1, T2 >

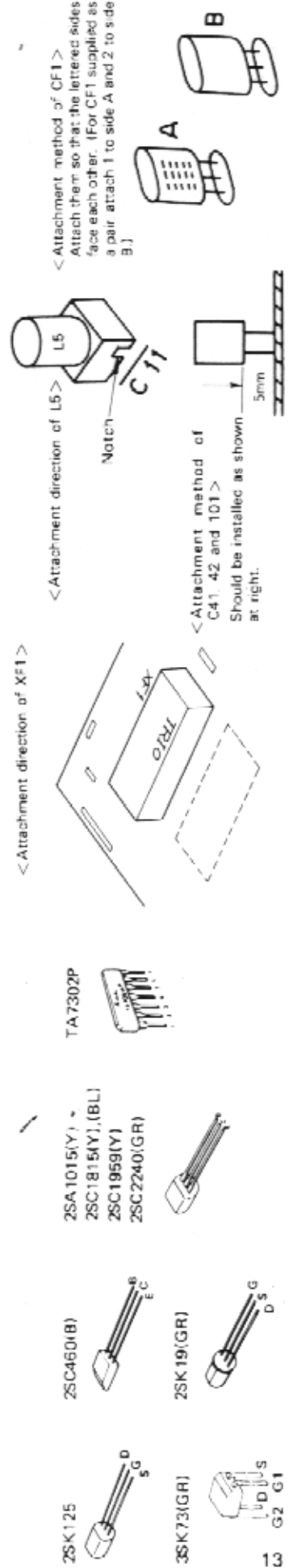


- Q1 2SK19 (GR) Q2, 3 7SC945 (Q)
- D1: 1N80 D2: 1S1555

▼ IF UNIT (X48-1290-00) : 830S (K) (W) (T) (X)
 (X48-1290-61) : 830M (W)

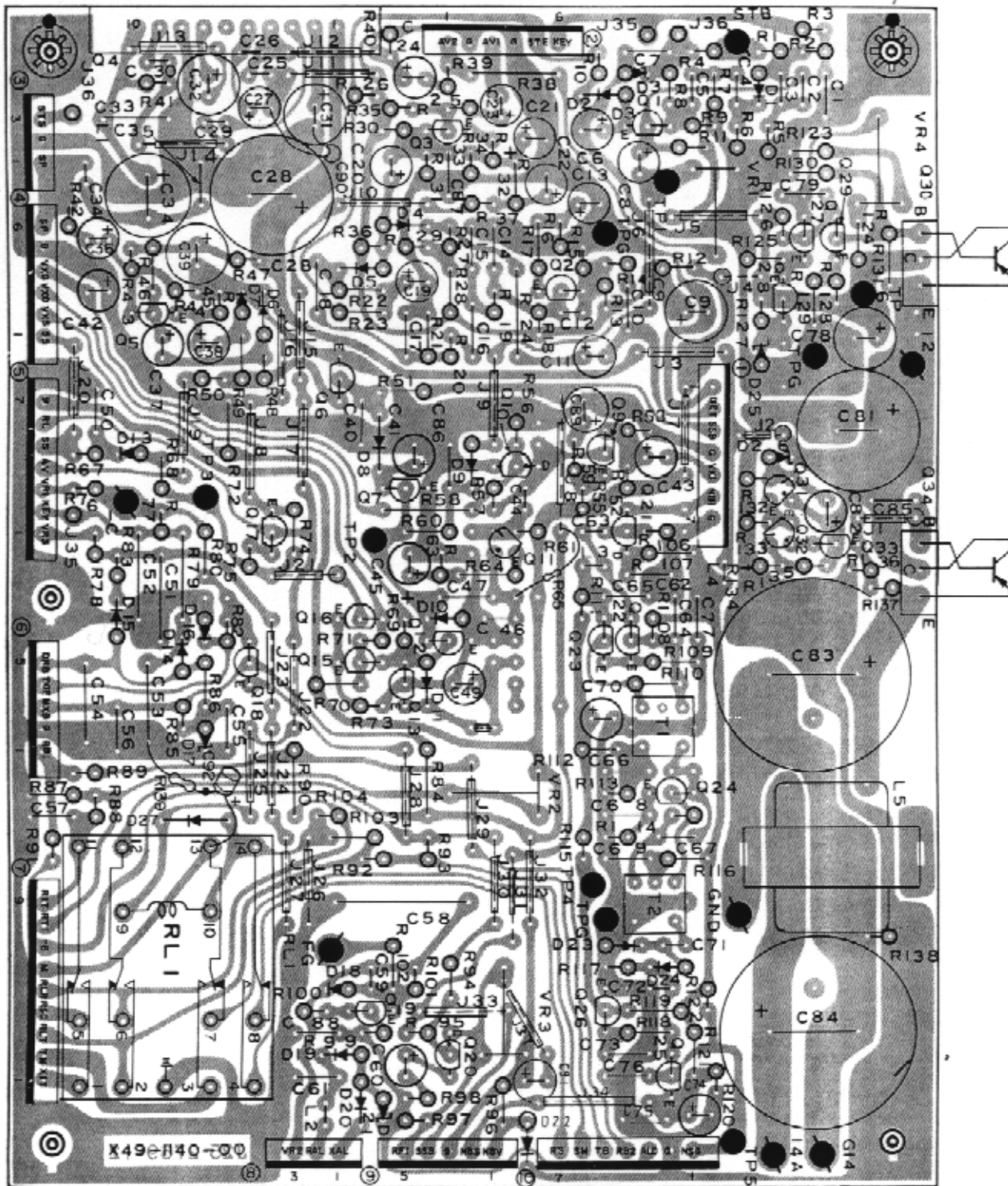


- C1 2SK125 Q2~4 8.16.27.28.29 3SK73(GR) Q5~6 9.10.15.21~25.32.33.36.38 2SC1815(Y) Q7 2SC1815(BL)
- C11 2S30.34 2SK19(GR) Q12.31.37 2SA1015(Y) Q13 2SC480(B) Q14.17.18 2SC1959(Y)
- C19.20.35 2SC2240(GR) Q26 TA7302P
- D1~5 B.9.11 14.15.28 3S.35.40~44 1S1587 D6.7.10.12.13.34 1S1007
- D16 1SV53A D17.24.25.27.33.39.45~58 1S1555 D18~23.29~32.37.38 1N60 D26 1SV54



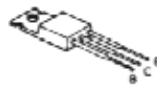
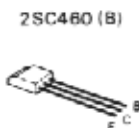
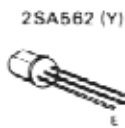
TS-830S, M PC BOARD VIEW

▼ AF UNIT (X49-1140-00)



Q1,5,6,7,11,12,16,18,26~29,31,32 2SC945(Q) or 2SC1815(Y) Q2,3: 2SC2240(GR) Q4 HA1368R Q9,13,33 2SA1015(Y) Q10 2SK30A(GR)
 Q15,25 2SC1815(GR) Q17 2SA562(Y) Q19 2SC1515(K) Q20: 2SK30A(O) Q21: 2SK19(GR) Q22~24 2SC460(B) Q30,34 2SA473(Y)
 D1,2,4~10,13,16,18,27 1S1555 D3,17,21: WZ-090 D11,23,24 1N60 D14,15,19,20 V06H D22 MV-13 D25 WZ-081 D26 XZ-090

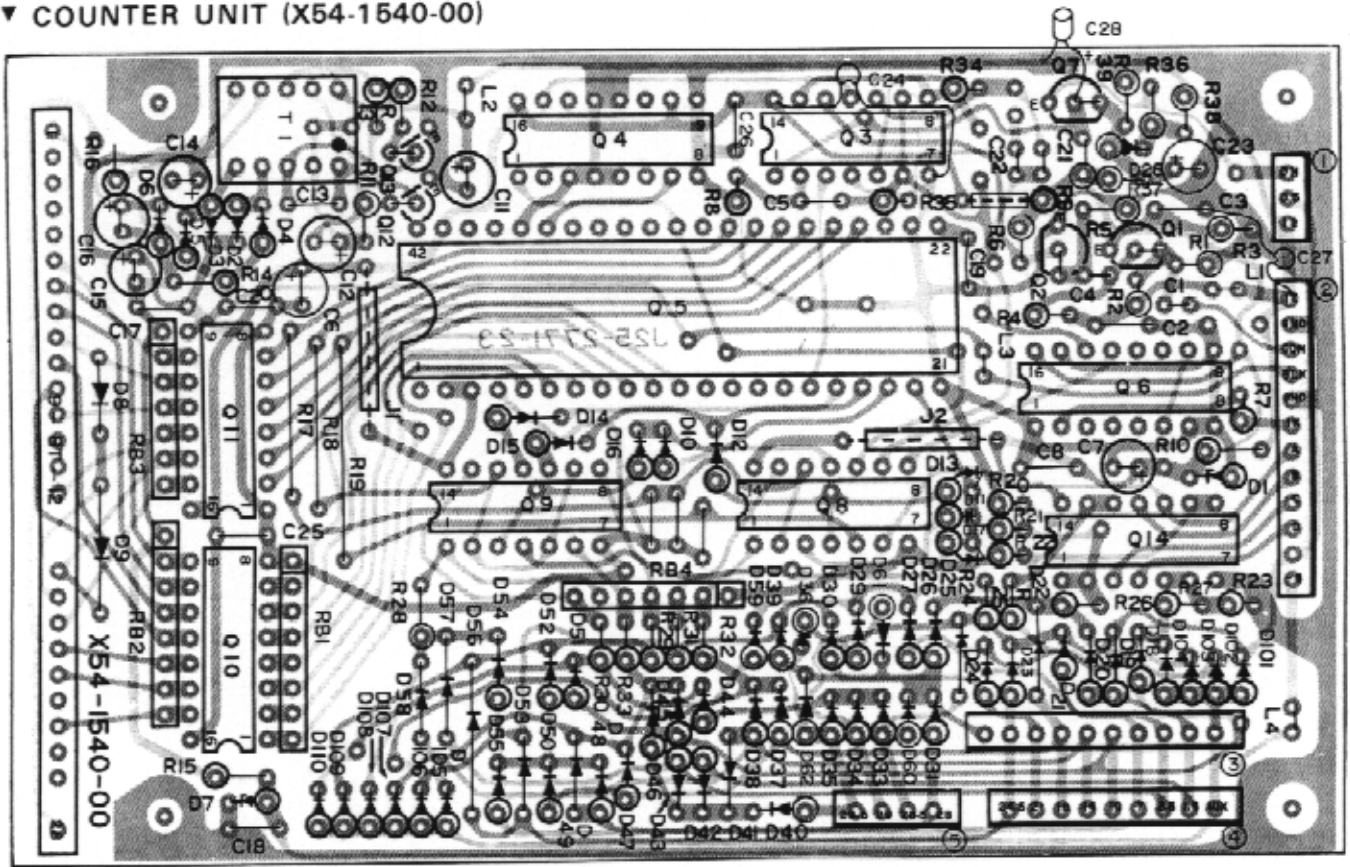
2SA1015 (Y)
 2SC945 (Q)
 2SC1515 (K)
 2SC1815 (GR), (Y)
 2SC1959 (Y)
 2SC2240 (GR)



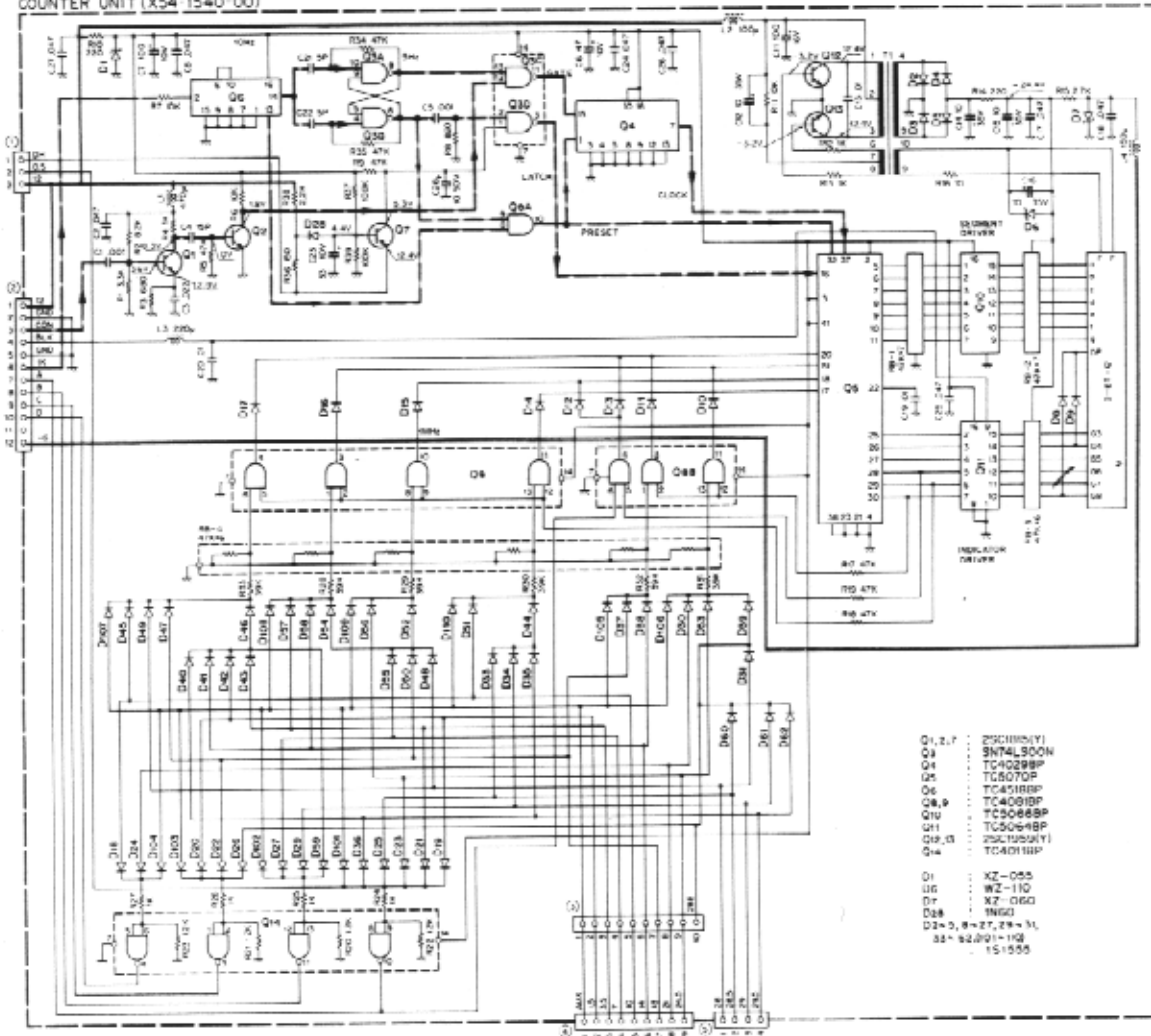
MV-13



▼ COUNTER UNIT (X54-1540-00)

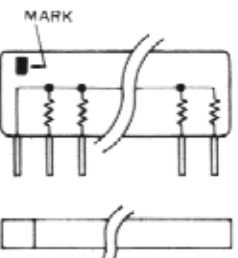


COUNTER UNIT (X54-1540-00)



- Q1,2,7 25C1815(Y)
- Q3 SN74LS00N
- Q4 TC4029BP
or MC14510BCP
- Q5 TC5070P
- Q6 TC4518BP
- Q8,9 TC4081BP
- Q10 TC5066BP
- Q11 TC5064BP
- Q12,13 25C1959(Y)
- Q14 TC4011BP

- D1 XZ-055
- D2~5,8~27,29~31,
33~62 1S1555
- D6 WZ-110
- D7 XZ-060
- D28 1N60



- Q1,2,7 25C1815(Y)
- Q3 SN74LS00N
- Q4 TC4029BP
- Q5 TC5070P
- Q6 TC4518BP
- Q8,9 TC4081BP
- Q10 TC5066BP
- Q11 TC5064BP
- Q12,13 25C1959(Y)
- Q14 TC4011BP
- D1 XZ-055
- D6 WZ-110
- D7 XZ-060
- D8 WZ-110
- D2~5,8~27,29~31,
33~62 1S1555